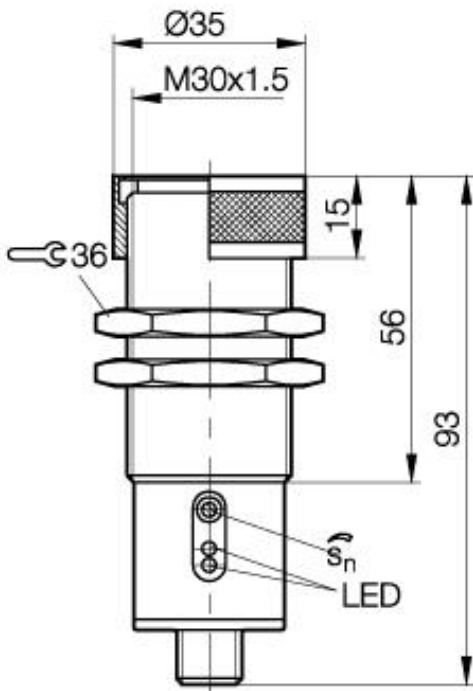


**Photoelectric Sensor**  
**BOS 30M-PU-1PH-SA 3-C**  
**Sn=2000mm**  
**Diffuse**



PX0894

**Common Data**

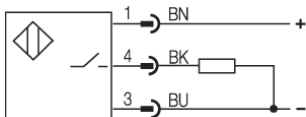
Series	30M
Sensortype	Diffuse
Switching frequency	100 Hz
Rated operating distance Sn in mm	2000
assured operating distance Sa	adjustable
Hysteresis	< 10%
Indication Supply Voltage	yes, green LED
Indication Switching element on	yes, yellow LED
Indication Special funktion	Contamination indicator, red LED
Ambient temperature	-20...+60°C
On-delay	< 5ms
Off-delay	< 5ms
Light	Infrared
Sensitivity Adjustment	18 turn Poti
Blind zone / min Reflector distance	1mm
Special funktion	Output switchable
Permissable ambient light	1000 Lux
Output funktion	light-on or dark-on

**Mechanical Data**

Measurements	M30x93
Shock	Halfsinus, 30gn, 11ms
Vibration	10...55Hz, 1,5mm Amplitude 3x2h
Housing material	nickel plated brass
Material of sensing face	Glass
Degree of protection	IP65
Connection	Connector S4 (M12)
Weigth	230g

**Electrical Data**

Current	DC
Switching funktion	NO/NC
Output	PNP
Rated operational voltage Ue	24V DC
Rated operational current Ie	200mA
Supply Voltage	10...30V DC
Ripple	max. 10% from UB
Frequency of Supply Voltage	DC
Voltage drop	<2,4V
Short protection	yes
Protected against polarity reversal	yes
Rated insulation voltage	75VDC
max. Load capacity	1µF



Utilization categories  
 Insulation class

Datasheet number:

Definitions see general catalog.  
 If not otherwise noted, ratings according to  
 IEC 60947-5-2 (DIN EN60947-5-2)

Balluff GmbH  
 Schurwaldstrasse 9  
 73765 Neuhausen a.d.F.  
 Phone (07158) 173-0 Fax (07158) 5010

Datenblatt by CD-ROM - 04/2007

**BALLUFF**  
 sensors worldwide